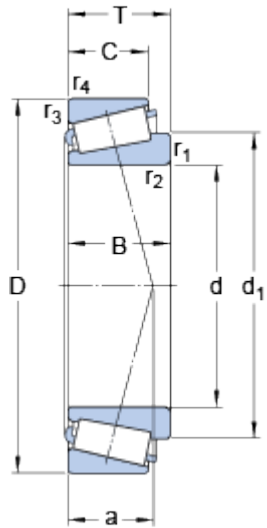


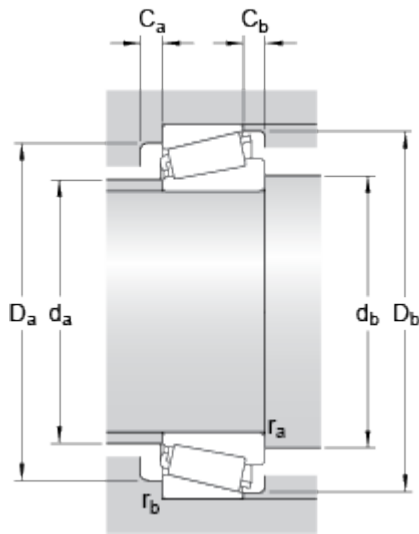
# L 68149/111/Q

## Dimensions



d		34.988	mm
D		59.974	mm
T		15.875	mm
d <sub>1</sub>	≈	48.4	mm
B		16.764	mm
C		11.938	mm
r <sub>1,2</sub>	min.	3.5	mm
r <sub>3,4</sub>	min.	1.3	mm
a		13	mm

## Abutment dimensions



d <sub>a</sub>	max.	41	mm
d <sub>b</sub>	min.	46	mm
D <sub>a</sub>	min.	52	mm
D <sub>a</sub>	max.	53.5	mm
D <sub>b</sub>	min.	56	mm
C <sub>a</sub>	min.	3	mm
C <sub>b</sub>	min.	3.5	mm
r <sub>a</sub>	max.	3.3	mm
r <sub>b</sub>	max.	1.3	mm

## Calculation data

Basic dynamic load rating	C	33	kN
Basic static load rating	C <sub>0</sub>	44	kN
Fatigue load limit	P <sub>u</sub>	4.5	kN
Reference speed		12000	r/min
Limiting speed		12000	r/min
Calculation factor	e	0.43	
Calculation factor	Y	1.4	

Calculation factor

$Y_0$

0.8

**Mass**

---

Mass bearing

0.178

kg